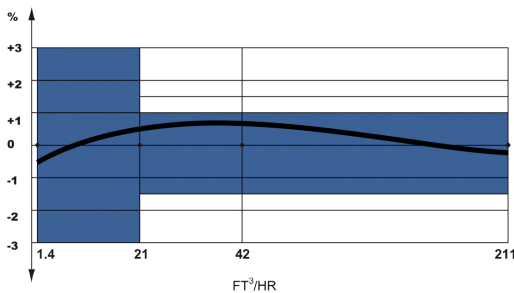


Features

- The H2O Degree GM0500 is a gas submeter.
- Non-temperature compensated.
- Monitor natural gas and LPG.
- Aluminum alloy body with surfaces treated with epoxy polyester powder.
- Sealed register.
- Designed for indoor installation.
- Equipped with pulse output to interface with H2O Degree wireless mesh network.
- Technical Specifications:
 - Use: Natural gas & LPG-Non Temperature Compensated Meter
 - 1/2" NPT Connection
 - Nominal Flow Rate: 56.5 FT³/h
 - Maximum Flow Rate: 88 Ft³/h
 - Minimum Flow Rate: 0.56 Ft³/h
 - Maximum Operating Pressure: 4.35 psi
 - Operating Temperature: 14-104 Degrees F
 - Cyclic Volume: 0.031725 Ft³/h
 - Storage Temperature: -4 to 122 Degrees F
 - Accuracy : +1.5% at 0.1Q_{max}<Q<Q_{max}
+3% at Q_{min}<Q<0.1Q_{max}
 - Pressure Loss at Q_{max}: <0.03 psi
 - Pressure Loss at Q_{min}: <0.009 psi
 - Max Index Reading: 9999999.9 ft³
 - Pulse Output: 12 VDC max; 10mA max: No polarity
 - Pulse Value: 1/cf or ft³

• Five Year Warranty.

• Accuracy Chart:



Overview

The H2O Degree GM0500 gas meter is made to accurately measure gas appliances in submetering applications.

The meter is a positive displacement non-temperature compensated diaphragm type gas meter made of die cast aluminum-alloy and surface treated with epoxy polyester powder.

This meter is capable of applications where reliability and pulse output is desired.

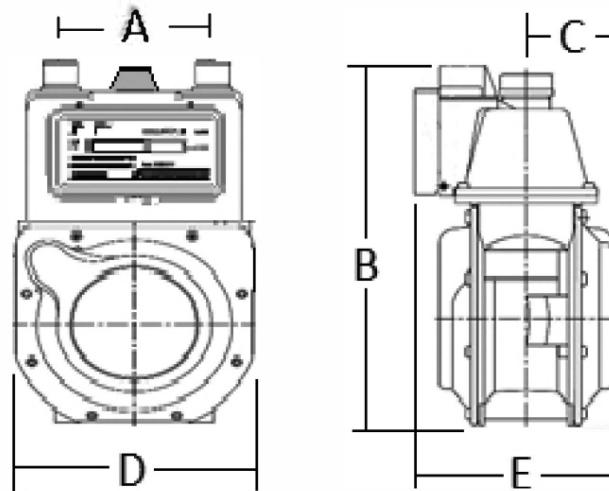
Ordering Information

Model	Description
GM0500	Diaphragm Gas Meter capacity 88 cubic feet per hour
M54130	Line Powered Pulse Counter - Indoor (4 channels)
M54130-O	Line Powered Pulse Counter - Outdoor (4 channels)
M54230	Battery Powered Dry Contact Pulse Counter - Indoor (2 Channel)
L54230	L54230 Two Channel Pulse Counter Radio (Battery Powered) 915 MHz

Technical Specifications

Use: Natural gas & LPG-Non Temperature Compensated Meter
 1/2" NPT Connection
 Nominal Flow Rate: 56.5 Ft³/h
 Maximum Flow Rate: 88 Ft³/h
 Minimum Flow Rate: 0.56 Ft³/h
 Maximum Operating Pressure: 4.35 psi
 Operating Temperature: 14-104 Degrees F
 Cyclic Volume: 0.031725 Ft³/h
 Storage Temperature: -4 to 122 Degrees F
 Accuracy : +1.5% at 0.1Q_{max}<Q<Q_{max}
 +3% at Q_{min}<Q<0.1Q_{max}
 Pressure Loss at Q_{max}: <0.03 psi
 Pressure Loss at Q_{min}: <0.009 psi
 Max Index Reading: 9999999.9 ft³
 Pulse Output: Standard 1 pulse per ft³
 12 VDC max; 10mA max: No polarity
 Pulse Value: 1/cf or ft³

Dimensions



Meter Case Material	A in	B in	C in	D in	E in	Wt lb	Connection Threads
Aluminum	5.1	8.6	2.3	6.6	4.8	3.7	½" NPT