

Features

- The H2O Degree IT1002 is a gateway with built-in CPU.
- Device connects the network coordinator to the H2O cloud servers to enable remote monitoring and control of all H2O wireless devices including water, electric, BTU and gas meters as well as thermostats and wireless relays. (Requires one M54700 Coordinator per gateway.)
- The gateway's built-in CPU is equipped with a 800 MHz Armv5 processor, Web-based Clock, 1 USB 2.0 port and 1 10/100/1000 Mbps Ethernet LAN port.
- Gateway automatically acquires an IP address (DHCP) and transmits a message via port 19110 & 80 to the H2O Degree server in the cloud.
- Gateway does not require a display, keyboard or mouse.
- Gateway attaches to the coordinator via a USB cable.
- The gateway can store up to 200,000 records. After the storage is full, the gateway dumps off data using a FIFO (First in, first out). The amount of days is dependent on how many devices and what transmission intervals they are set to.
- Two year warranty.

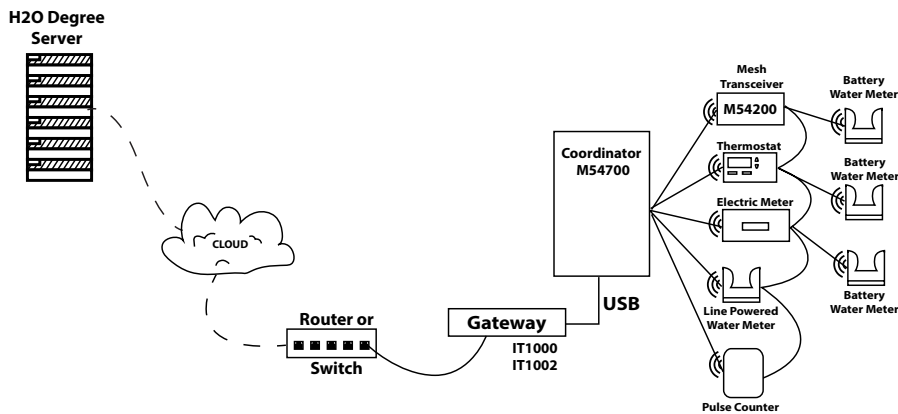


Overview

The IT1002 Gateway is the heart of the H2O Degree radio network at the property. The gateway is equipped with an embedded CPU to interface between the network coordinator and the H2O Degree server.

The gateway can be connected to the Internet via the property's Cat5e Internet connection. Once connected, the data is transmitted to the H2O Degree Server in the cloud for data collection, processing and report generation.

Gateway software can easily be updated remotely via the Internet connection and does not require a display, keyboard or mouse.



Ordering Information

Model	Description
IT1002-0010	IT1002 Gateway with power supply (included) 1-10 radio devices
IT1002-0100	IT1002 Gateway with power supply (included) 1-100 radio devices
IT1002-0500	IT1002 Gateway with power supply (included) 101-500 radio devices
IT1002-1000	IT1002 Gateway with power supply (included) 501-1000 radio devices
M54700	Coordinator — required for each gateway
IT1008	Five port Ethernet switch 10/100
IT2010	Cellular Modem 3G/4G Ethernet interface for CDMA networks includes power supply
IT5000	Labor Database Commissioning

Technical Specifications

Electrical

Voltage input 100 - 240 volts AC 50/60 Hz to external power adapter
 External power adapter power output to gateway Voltage 5 volts DC at 2 amps typical, (10 watts)

Environmental

Operating temperature 0 to 50 degree C

Installation Indicators

LED (green) indicates gateway power

Physical

(H x W x D) 6.5 x 2.4 x 0.8 inches

Color: Black

Weight / shipping weight < 9 oz. / 1.8 lbs.

Warranty

Two Years

NOTE: H2O Degree Gateways are computers and require firewall or NAT router protection. Some DSL routers and cable modems provide basic firewall or NAT routing; though most do not. If you are unsure whether the Gateway is protected contact H2O Degree's customer service department for assistance. Failure to install an H2O Degree Gateway with firewall or NAT router protection will void your warranty and may result in service interruptions or loss of data.

Wiring & Installation Information

