



# M53700 Coordinator

## Line Powered Coordinator

### Overview

The H2O Degree M53700 Coordinator is a wireless device that forms, monitors and controls the radio mesh network at each multi-family property. It is the heart of the H2O Degree wireless radio network.

The coordinator installs easily with the H2O Degree gateway via a USB cable.

The coordinator manages data packet transmissions between the gateway and all radio devices integrated in the wireless mesh network.

### Compatibility

- Wireless Water Meters
- Wireless Gas Meters
- Wireless Electric Meters
- Wireless BTU Meters
- Wireless Thermostat
- Wireless Relay

### Features

- The H2O Degree M53700 is a coordinator. (One coordinator required per gateway)
- Applications include submetering, remote energy monitoring & management and leak detection in multi-family facilities.
- Wireless mesh network system is ideal for new or retrofit installation.
- Remote monitoring, and control of wireless devices attached to water, gas, electric and BTU meters.
- Device forms, monitors and controls the radio mesh network at each multi-family property.
- Interfaces gateway to wireless mesh network to receive data from radio devices installed on the network, and transmit commands back to devices installed on the network.
- Installs at gateway via USB cable.
- Coordinator software can be updated remotely.
- Radio is compatible with the H2O Degree secure wireless 2.4 GHz mesh network.
- LED power indicator.
- Health Packet reported (120 minute interval default).
- Five year warranty.



## Ordering Information

Model	Description
M53700	Line Powered Coordinator (includes a USB cable to connect gateway)

9/2015

**H2O Degree**  
3580 Progress Drive, Suite L  
Bensalem, PA 19020

[www.h2odegree.com](http://www.h2odegree.com)  
(215) 788-8485  
[info@h2odegree.com](mailto:info@h2odegree.com)



# M53700 Coordinator

## Technical Specifications

### Technical Specifications

#### Electrical

Voltage input 5 volt DC  
 Current input 45 milli-amperes typical from USB cable, 250 milli-amp max

#### Regulatory approvals

US Complies with FCC CFR Part 15  
 European RADIO EN 300 328:v1.7.1  
 European EMC EN 301 489-17:v2.1.1  
 European SAFETY EN 60950-1:2005 (Ed. 2.0)

#### Radio

20 dBm output power  
 High sensitivity -106 dBm  
 16 channels (802.15.4 Channel 11 to 26)  
 Data rate 250 kilo bytes per second  
 2.4 GHz ISM band

#### Environmental

Operating temperature 0 to 30 degree C  
 Storage temperature -25 to 50 degrees C

#### Installation indicators

LED (green) indicates coordinator power

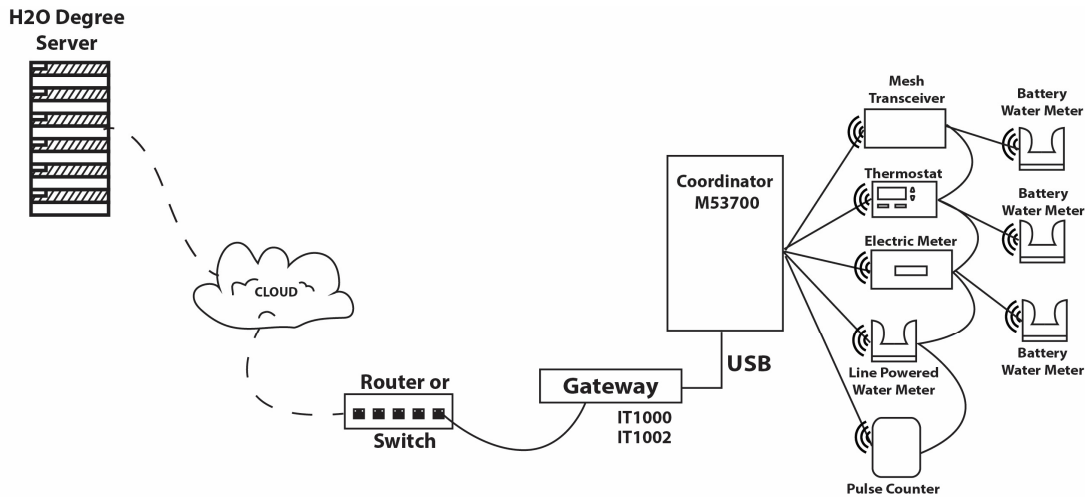
#### Physical

(H x W x D) 5.0 x 3.5 x 1.0625 inch  
 Color gray  
 Weight / shipping weight < 9 oz. / 1 lbs.

#### Warranty

Five Years

### Wiring & Installation Information



### Ordering Information

Model	Description
M53700	Line Powered Coordinator (includes a USB cable to connect gateway)

9/2015