



# M54200 Wireless Mesh Transceiver Line Powered

## Overview

The H2O Degree M54200 wireless mesh transceiver is used to extend the range of radio nodes that are joined to the H2O Degree wireless mesh network.

## Features

- The H2O Degree M54200 is a wireless mesh transceiver.
- Device extends the range of H2O Degree radio devices installed on the wireless mesh network.
- Radio is compatible with the H2O Degree secure wireless 2.4 GHz mesh network.
- By using a magnet the installer can force a radio transmission and receive a LED sequenced feedback on radio connectivity in real time for ease and validation of commissioning.
- Device software can be updated over the air.
- Type of packet data reported: Health Packet (120 minute interval default)
- Five year warranty.



## Ordering Information

Model	Description
M54200	Wireless Mesh Transceiver - Indoor (requires a power supply)
M54200-O	Wireless Mesh Transceiver - Outdoor (requires a power supply)
M54200-SI	Wireless Mesh Transceiver - Indoor with power supply for mounting behind a thermostat
PS1001	120 VAC to 9 VDC power supply
PS1007	24 VAC to 12 VDC power supply

3/2017



# M54200 Wireless Mesh Transceiver

## Line Powered

## Technical Specifications

### Technical Specifications

#### Equipment compatibility

Voltage input 9 to 15 volt DC  
Current input 45 milli---amps typical, 250 milli---amp max

#### Regulatory approvals

US Complies with FCC CFR Part 15  
European RADIO EN 300 328:v1.7.1  
European EMC EN 301 489---17:V2.1.1  
European SAFETY EN 60950---1:2005 (Ed. 2.0)

#### Radio

20 dBm output power  
High sensitivity ---106 dBm  
16 channels (802.15.4 Channel 11 to 26)  
2.4 GHz ISM band

#### Environmental

Operating temperature 0 to 30 degree C  
Storage temperature -25 to 50 degrees C

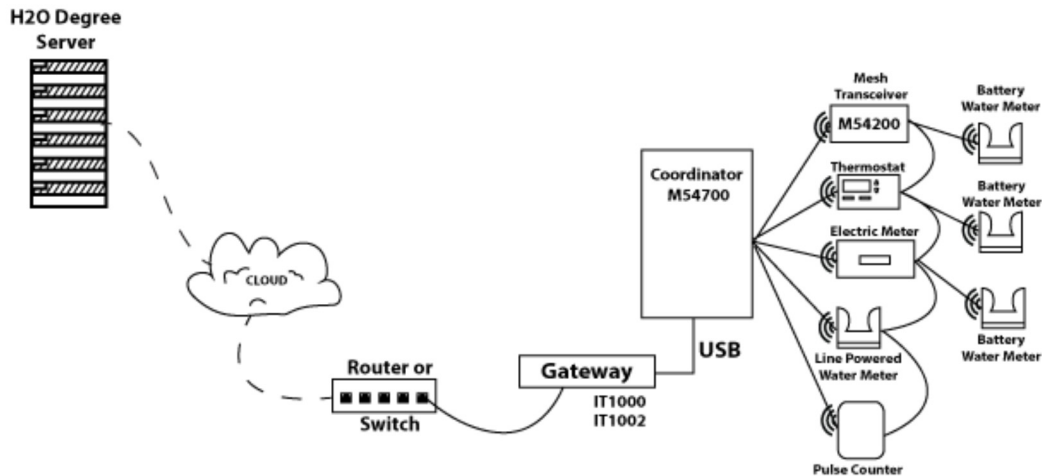
#### Physical

(H x W x D) 5.0 x 3.5 x 1.0625 inch  
Color natural  
Weight / shipping weight < 9 oz. / 1 lbs.

#### Warranty

Five Years

### Wiring & Installation Information



### Ordering Information

Model	Description
M54200	Wireless Mesh Transceiver - Indoor (requires a power supply)
M54200-O	Wireless Mesh Transceiver - Outdoor (requires a power supply)
M54200-SI	Wireless Mesh Transceiver - Indoor with power supply for mounting behind a thermostat
PS1001	120 VAC to 9 VDC power supply
PS1007	24 VAC to 912 VDC power supply

3/2017

**H2O Degree**  
3580 Progress Drive, Suite L  
Bensalem, PA 19020

[www.h2odegree.com](http://www.h2odegree.com)  
(215) 788-8485  
[info@h2odegree.com](mailto:info@h2odegree.com)