



M54460-E Thermostat

Overview

The H2O Degree M54460-E thermostat is a wireless networked thermostat. The M54460-E maintains local HVAC control, even if network communication is lost.

The smart thermostat communicates wirelessly to the W54460-Z2E Bridge. The Z2E Bridge connects to the H2O Degree gateway. The gateway connects to the H2O Degree Server. Property managers can view the thermostat set-points and temperature readings through the H2O dashboards and can make adjustments to all units or individual units. The tenants can be given access to their individual thermostat through a web-based portal or mobile application.

Measurements in the Z2E Bridge

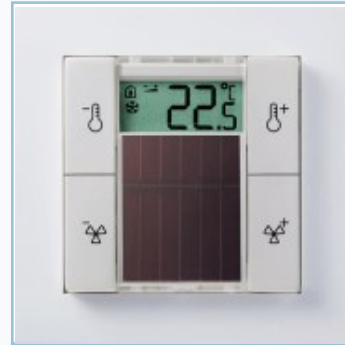
- Heat Runtime
- Cool Runtime

Measurements in the Thermostat

- Humidity
- Heat Set-point
- Temperature
- Cool Set-point

Features

- The H2O Degree M54460-E thermostat requires no external power and can be placed at any appropriate wall location.
- The H2O Degree M54460-E is a thermostat that communicates wirelessly to the H2O Degree W54460-Z2E relay module for remote control.
- Easy to install and the radio can download the configuration upon power up.
- Collects room temperature, humidity, heat set point limit, cool set point and cool set point limit.
- Device allows property managers to set individual heat set point limits and cool set point limits for each thermostat or globally for all thermostats.
- Thermostat is compatible with the H2O Degree wireless W54460-Z2E Bridge and relay module.
- Supports Z2E Bridge (W54460-Z2E) A5-10-03 EEP and D2-11-01 EEP. (EEP is EnOcean Equipment Profile)
- Non-volatile memory maintains last reading in the event of a power failure.
- Two year warranty.



Ordering Information

Model	Description
M54460-E	Thermostat & Radio-Single Stage-No Humidity
M54460-EH	Thermostat & Radio-Single Stage-With Humidity

8/2016

H2O Degree
3580 Progress Drive, Suite L
Bensalem, PA 19020

www.h2odegree.com
(215) 788-8485
info@h2odegree.com



M54460-E Thermostat Technical Specifications

Technical Specifications

Equipment compatibility

Accuracy +/- 1.0 degree C
1 Stage Heat/1 Stage Cool
Temperature control range 0- 40 degrees C or 32-104 degrees F
Adjustable backlight

Regulatory approvals

EnOcean IEC 14543-3-10

Environmental

Operating temperature 0 to 40 degree C or 32-104 degrees F

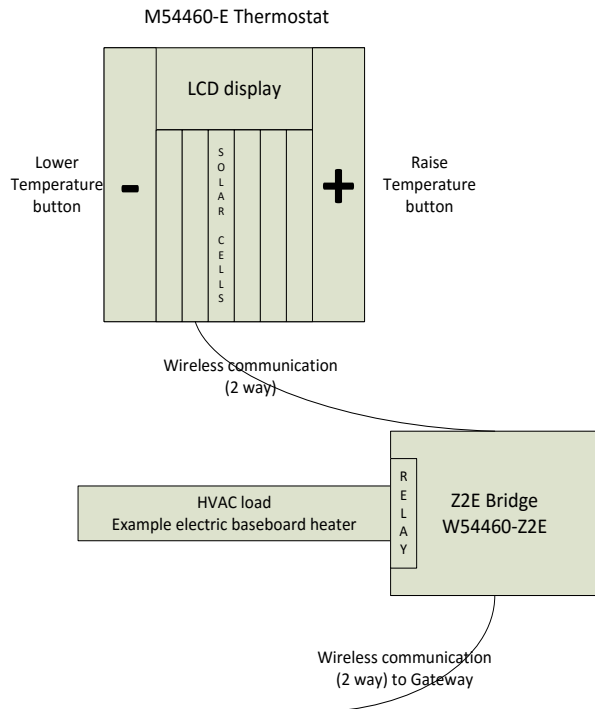
Physical

(H x W x D) 2.123 x2.123 x 5.118 inch
Color white
Weight 50 grams or 1.76 oz

Warranty

Two Years

Installation Information



Ordering Information

Model	Description
M54460-E	Thermostat & Radio-Single Stage-No Humidity
M54460-EH	Thermostat & Radio-Single Stage-With Humidity

8/2016