



## RTD1004 BTU Meter Outlet Temperature Probe

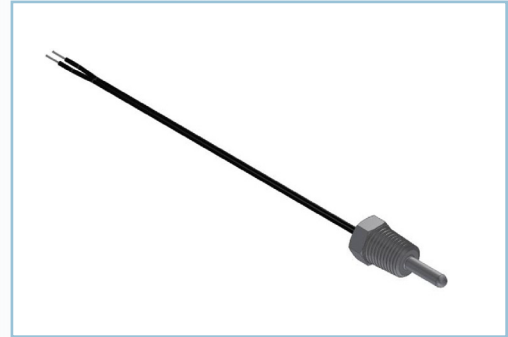
### Overview

The H2O Degree RTD1004 Temperature probe is a sensor used to measure temperature by correlating the resistance of the RTD element with temperature.

The RTD1004 is a platinum RTD probe that has a stainless steel, 9/16" Hex housing with 2 foot long wires.

### Features

- Platinum temperature probe for monitoring temperature.
- Platinum with stainless steel 9/16" Hex housing with 2 foot long wires.
- Sturdy, sealed construction.
- Fast thermal response and excellent thermal tracking.
- Fluid temperature sensing.
- Uses industry standard RTD1000 element.



Parameters	Value and Tolerance
Resistance / Tolerance	1,000 ohms @ 0°C, DIN CLASS A
RTD Material	Platinum, TCR=-.00385 Ω/Ω°C
Wires	22AWG, PVC-insulated, Black
Temperature Rating	-20°C to +100°C

- Two year warranty.
- Performance Specifications:

## Ordering Information

### **Model**

RTD1004

### **Description**

1/2" NPT Temperature Probe with 24" cable and strain relief.  
For use with M54131 or M54132 BTU Meter

3/2017

### **H2O Degree**

3580 Progress Drive, Suite L  
Bensalem, PA 19020

[www.h2odegree.com](http://www.h2odegree.com)

(215) 788-8485

[info@h2odegree.com](mailto:info@h2odegree.com)



# RTD1004 BTU Meter Outlet Temperature Probe Technical Specifications

## Resistance V Temperature Tables

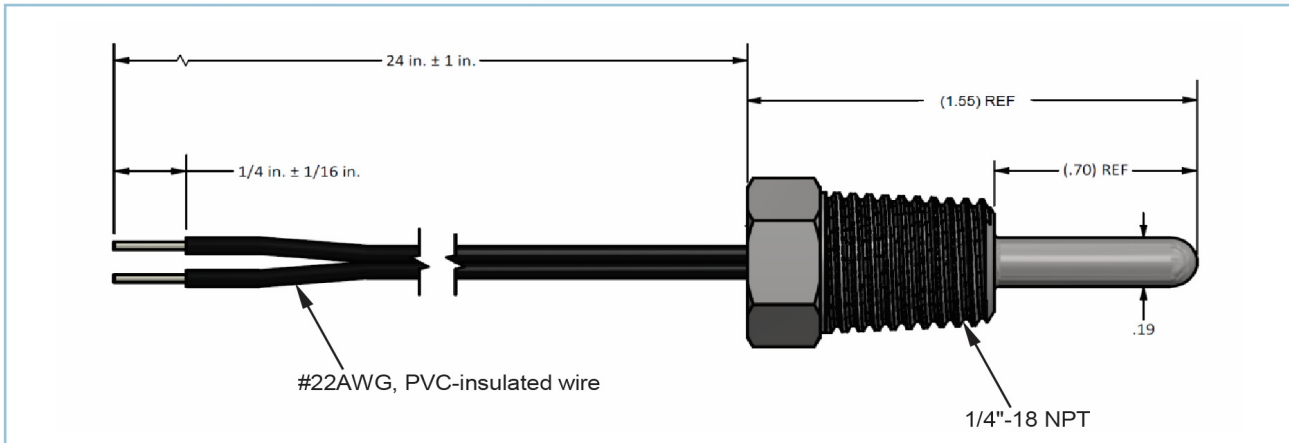
Pt RTD	
Temp. (°C)	Resistance (Ω)
-20	921.60
-15	941.24
-10	960.86
-5	980.44
0	1,000.00
5	1,019.53
10	1,039.03

Pt RTD	
Temp. (°C)	Resistance (Ω)
15	1,058.49
20	1,077.94
25	1,097.35
30	1,116.73
35	1,136.08
40	1,155.41
45	1,174.70

Pt RTD	
Temp. (°C)	Resistance (Ω)
50	1,193.97
55	1,213.21
60	1,232.42
65	1,251.60
70	1,270.75
75	1,289.87
80	1,308.97

Pt RTD	
Temp. (°C)	Resistance (Ω)
85	1,328.03
90	1,347.07
95	1,366.08
100	1,385.06

## Dimensions



## Ordering Information

RTD1004 1/2" NPT Temperature Probe with 24" cable and strain relief.  
For use with M54131 or M54132 BTU Meter

3/2017