



# WM-1200 Hot & Cold Water Meters 3/4", 1", 1 1/2" and 2" Multi-Jet

## Features

- The H2O Degree WM-1200 is a multi-jet water meter for submetering applications.
- The meter is available for either hot or cold water applications.
- Pulse Value: 1/10 gal. (standard), 1/1 gal. (specify when ordering.)
- Available sizes include 3/4", 1", 1 1/2" or 2".
- Lead-free eco-brass body.
- Installation in horizontal position only.
- Max pressure: 150 psi.
- Temperatures:
  - Cold: 105 Degrees F
  - Hot: 194 Degrees F

• Flow rates:

GPM	3/4"	1"	1-1/2"	2"	% Error
MIN	0.5	0.75	1.5	2	6
MAX	30	50	100	160	
Continuous	15	25	50	80	1.5
Range	2-30	3-50	5-50	8-160	

- The WM-1200 C/H075 model water meters have a maximum flow rate of 30 gallons per minute with a pressure loss of approximately 13 psi at the maximum stated flow rate. The WM-1200 C/H100 model water meters have a maximum flow rate of 50 gallons per minute with a pressure loss of approximately 13 psi at the stated maximum flow rate. The WM-1200 C/H150 has a maximum flow rate of 100 gallons per minute with a pressure loss of approximately 13 psi at the stated maximum flow rate. The WM1200 C/H200 has a maximum flow rate of 160 gallons per minute with a pressure loss of approximately 13 psi at the stated maximum flow rate. For additional details visit the full specifications at [www.H2ODegree.com](http://www.H2ODegree.com).
- Approvals:
  - NSF-61-G Certified
  - Meets AWWA C708 Standards
  - MA Board of Plumbers Approved Cert. # P3-0917-67
- Two year warranty.



## Overview

The H2O Degree WM-1200 series hot & cold water meters utilize multi-jet principles for accurate water measurement and are known for their simplicity, longevity and accuracy.

The WM-1200 is tested to the most recent AWWA C708 accuracy standards.

The pulse output capability allows for the meter to be used for remote reading.

The meter is intended for horizontal application only.

In addition to the various sizes, the meter is also available in hot or cold versions.

## Ordering Information

### Cold Water Meters

Model	Description
WM1200C075	WM-1200C075 - 3/4" Cold Water Meter
WM1200C100	WM-1200C100 - 1" Cold Water Meter
WM1200C150	WM-1200C150 - 1 1/2" Cold Water Meter
WM1200C200	WM-1200C200 - 2" Cold Water Meter
M54130	Line Powered Pulse Counter - Indoor (4 channels)
M54130-O	Line Powered Pulse Counter - Outdoor (4 channels)
L54230	L54230 Two Channel Pulse Counter Radio (Battery Powered) 915 MHz

### Hot Water Meters

Model	Description
WM1200H075	WM-1200H075 - 3/4" Hot Water Meter
WM1200H100	WM-1200H100 - 1" Hot Water Meter
WM1200H150	WM-1200H150 - 1 1/2" Hot Water Meter
WM1200H200	WM-1200H200 - 2" Hot Water Meter
M54230	Battery Powered Dry Contact Pulse Counter - Indoor (2 Channel)

## Technical Specifications

Temperature—Cold—105 degrees F

Temperature—Hot—194 degrees F

Max Pressure—150 psi

Materials—Body-Eco Brass NO LEAD

Materials—Internals-Thermoplastic

Pulse Output—6mA @ 12 VDC

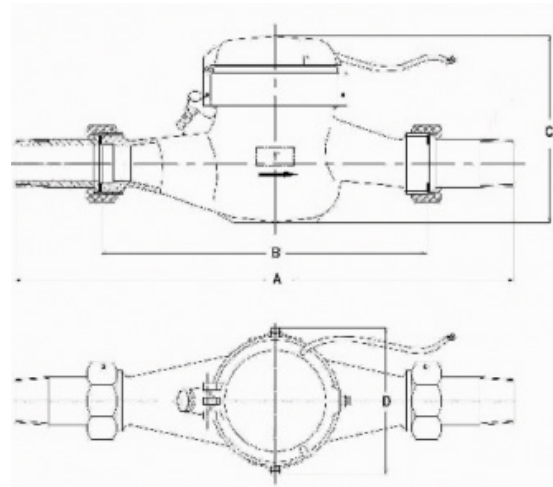
Pulse Value—1/10 gal or 1/1 gal

## Flow Rate Chart

FLOW RATE					
GPM	3/4"	1"	1-1/2"	2"	% Error
MIN	0.5	0.75	1.5	2	3
MAX	30	50	100	160	1.5
CONTINUOUS	15	25	50	80	
RANGE	2-30	3-50	5-50	8-160	

## Dimensions

DIMENSIONS				
	3/4"	1"	1-1/2"	2"
A	11.5"	15.6"	17.8"	21.0"
B	7.5"	10.75"	12.625"	15.25"
C	5.3"	5.3"	6.8"	6.8"
D	3.9"	3.9"	4.8"	4.8"
Weight	4 lb.	5 lb.	10 lb.	14 lb.



## Pressure Loss Curve

